



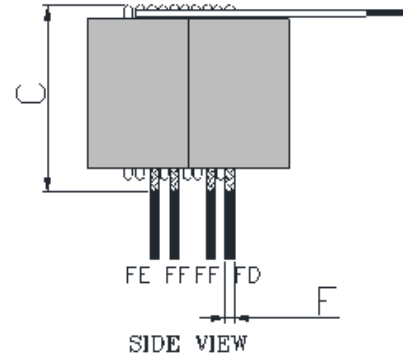
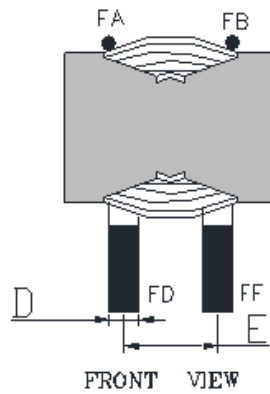
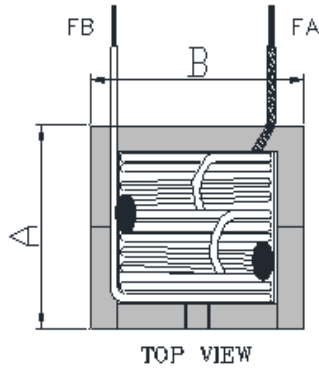
Flat line LLC series Transformer

Application

- Server product
- Hi Power product

Features

- Can carry more current.
- Coil temperature uniformity.
- Good heat dissipation.



規格	A (mm)	B (mm)	C (mm)	瓦特數 (W)	PIN數	應用線路架構	破孔 (Y/N)
PQ3225	27.0	33.5	30.0	500~650	fly wire	LLC	N
PQ3230	32.0	33.5	30.0	750~1200	fly wire	LLC	N