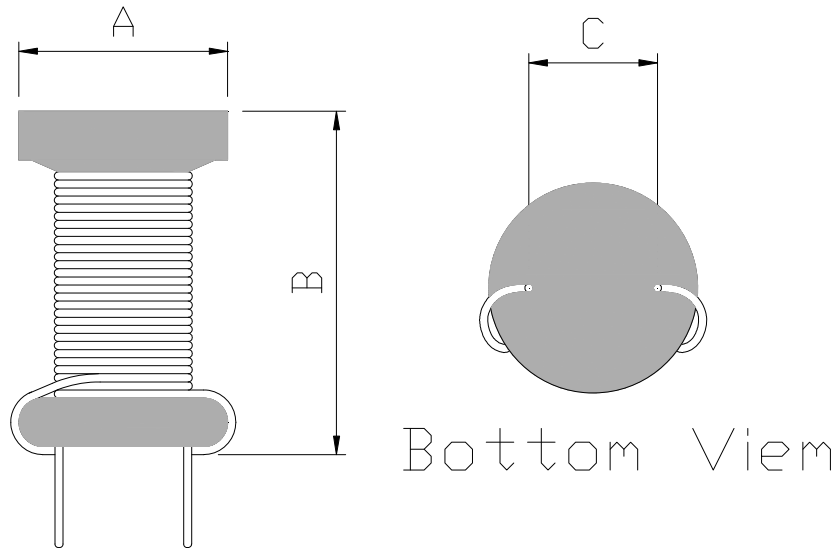




DR Core

Choke



規格	A (mm)	B (mm)	C (mm)	電感(uH)	DCR(mΩ)	耐電流(A)
DR5*7	5.2	8.3	3.2	78.8~68.0	350~24.7	1.0~2.5
DR6*6.3	5.8	6.4	4.7	27.7~1.8	176~14	1.0~5.0
DR6*8	5.9	9.5	4.4	127~7.4	493~29.3	0.5~3.0
DR6*10	6.1	12.1	4.0	246~15.8	678~44.6	0.5~1.5
DR8*8	8.1	10.0	6.5	174~8.5	653~38.6	4.0~8.5
DR8*10	7.5	10.5	6.9	20.4~6.3	59.4~13.3	1.0~5.0
DR9*12	9.5	12.0	7.2	1002~120	1200~120	0.5~0.4
DR10*8	10.8	7.9	7.8	690~44.7	1290~86.3	0.6~2.0
DR10*12	10.4	10.2	6.2	4559~96.7	1760~112	0.2~0.5
DR10*16	10.7	16.5	8.1	1123~72.9	2030~129	1.0~4.5
DR14*15	14.1	15.1	10.0	3410~376	3550~309	0.8~2.0
DR18*18	17.7	18.4	11.2	6846~811	6360~550	0.8~2.5